

2-3PHASE AUTO START PREVENTER MODEL - MCS_2PASPU



CUSTOMER CARE
+91 91596 34445



You  Tube

The **2-3PH AUTO START PREVENTER** is a digital device designed to protect 3-phase motor from low voltage, phase failure, and phase reversal. It offers accurate monitoring and control of your motor performance, ensuring efficient operation and preventing damage. It is suitable for submersible pumps, and HVAC systems that utilize 3-phase motors.

SPECIFICATION:

MODEL	: MCS_2PASPU
TYPE	: DIGITAL
BOX	: METAL BOX
COLOUR	: WHITE
INPUT SUPPLY	: 3-PHASE
OPERATING VOLTAGE	: 440 VAC
PACKAGE CONTAINS	: 1x 2-3PHASE AUTO START PREVENTER, 1x USER MANUAL.

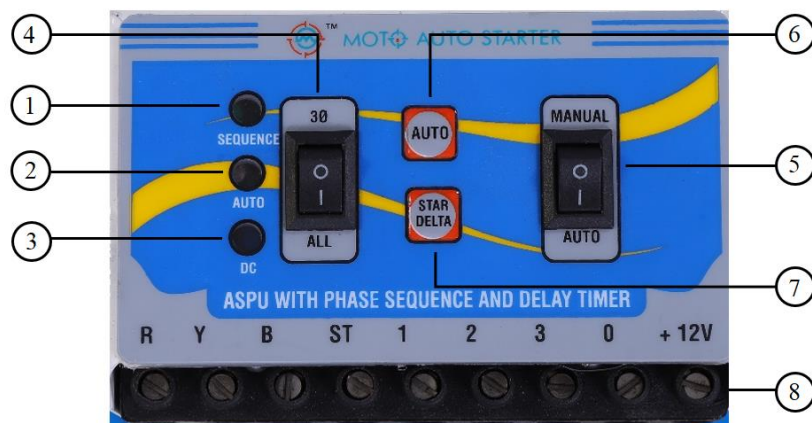
FEATURES:

- LED INDICATION.
- SINGLE PHASE PREVENTER.
- INBUILD LOW VOLTAGE PROTECTION.
- PHASE FAILURE & PHASE REVERSAL PROTECTION.
- DIFFERENT VOLTAGE PROTECTION.
- AUTO START TIMER OPTION.
- STAR DELTA TIMER OPTION.
- 12V OUTPUT FOR KIRTI RELAY OPTION.

ADVANTAGES:

- SUITABLE FOR ALL BUTTON STARTER
- ACCURACY WITH TRIPPING
- AUTO / MANUAL MODE OPERATION
- EASY INSTALLATION AND MAINTENANCE

DESCRIPTION:



1. SEQUENCE LED.
2. AUTO START TIMER LED.
3. DC (2P/3P) LED.
4. 2P/3P SWITCH.
5. AUTO/MANUAL SWITCH.
6. AUTO START TIMER SET BUTTON.
7. STAR DELTA TIMER SET BUTTON.
8. INPUT/OUTPUT CONNECTOR.

MANUAL FUNCTION:

Set auto/ manual switch into manual position and then turn on power supply. Now controller is ready to monitor the power supply condition and sequence led will turn on. Now use green pushbutton to turn on the motor and red push button to turn off the motor.

AUTO FUNCTION:

Set auto/ manual switch into auto position and then turn on power supply. Now controller is ready to monitor the power supply condition and sequence led will turn on. Auto start timer will be enabled only in auto mode, and it is used to turn on the motor automatically when the power is on, based on user set time and simultaneously auto led will blink.

2P/3P SWITCH FUNCTION:

A 2P/3P switch is used to set 2Phase/3Phase mode or 3Phase mode only operation. The DC led is used to indicate 2phase mode power supply. If 2Phase/3Phase mode is enabled the motor will turn on in 2Phase or 3Phase condition. If 3P mode is enabled the motor will turn on only in 3phase condition and DC led will turn off.

WIRING DIAGRAM:

Fig 1: 2PHASE 3PHASE DOL STARTER CONNECTION DIAGRAM.

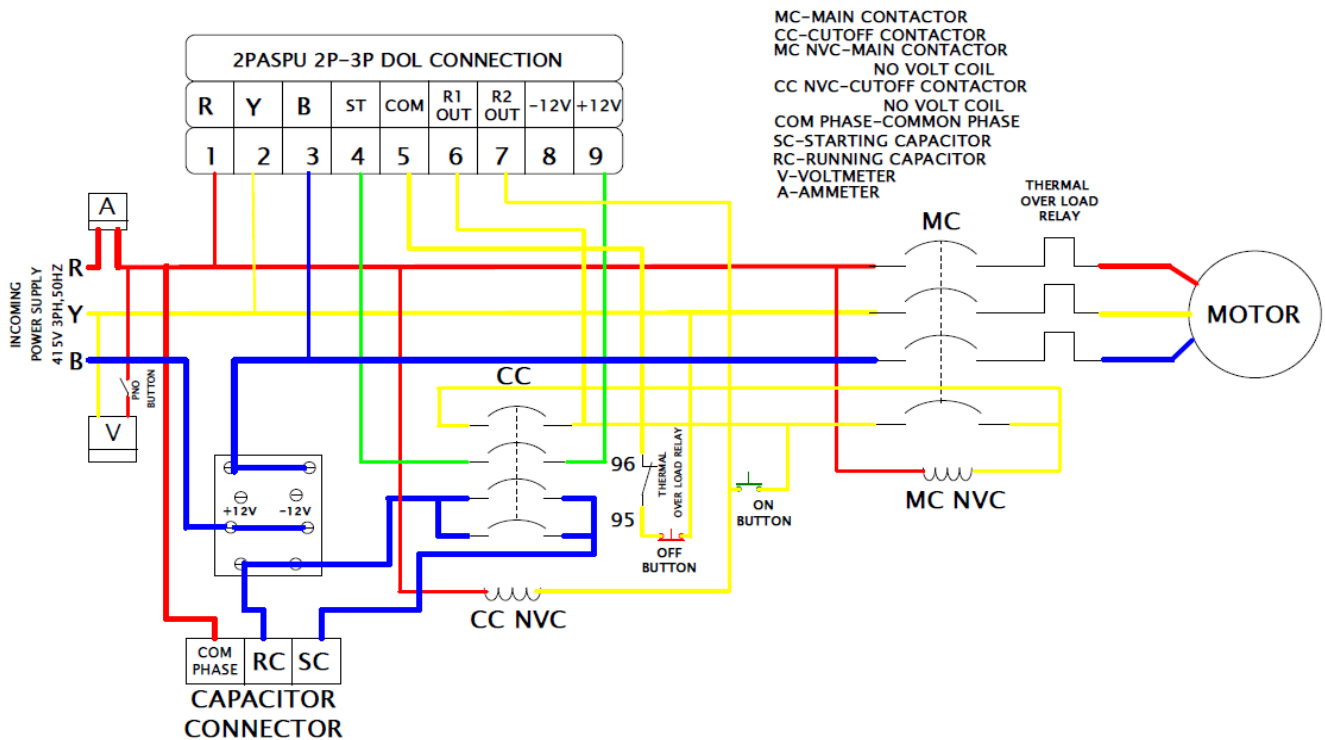
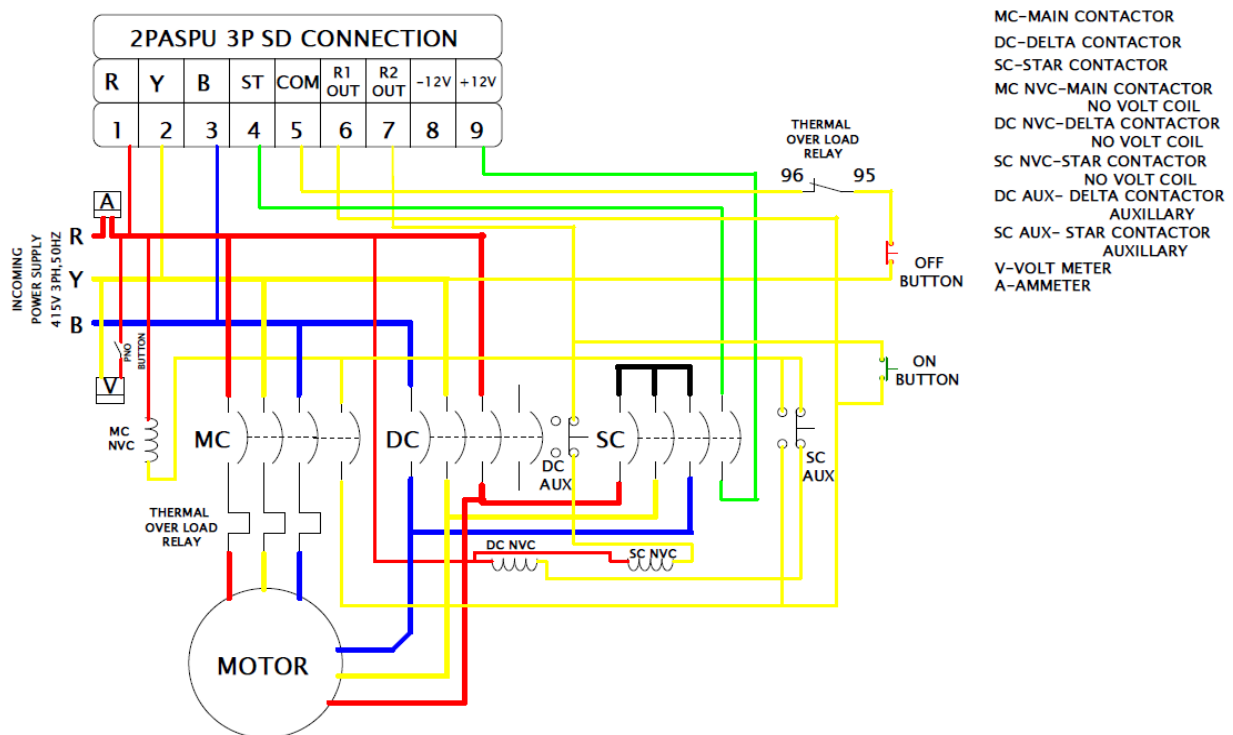
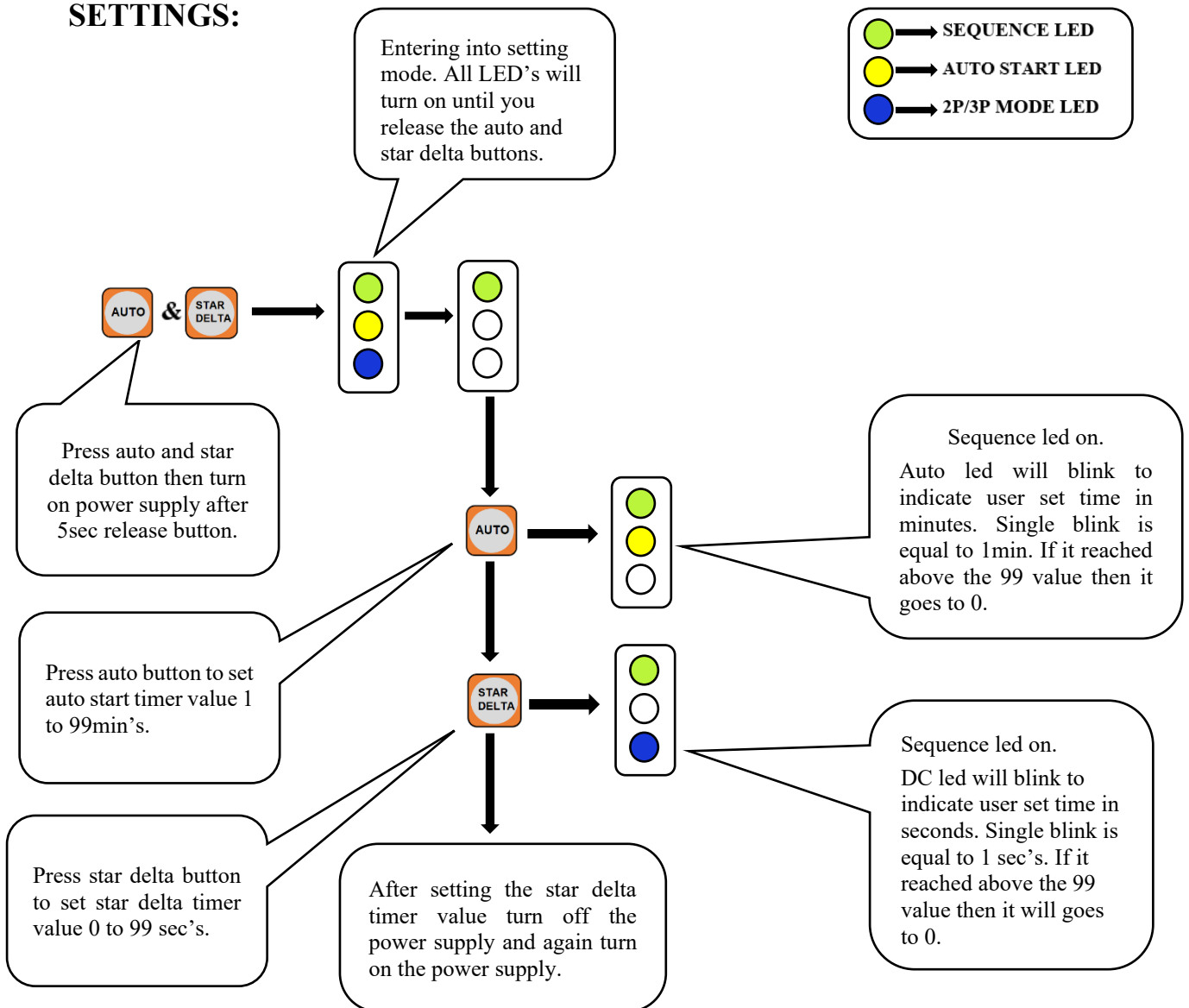
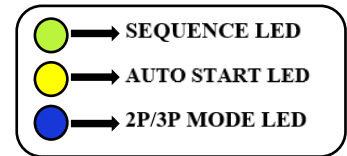


Fig 2: 3PHASE STAR DELTA STARTER CONNECTION DIAGRAM.



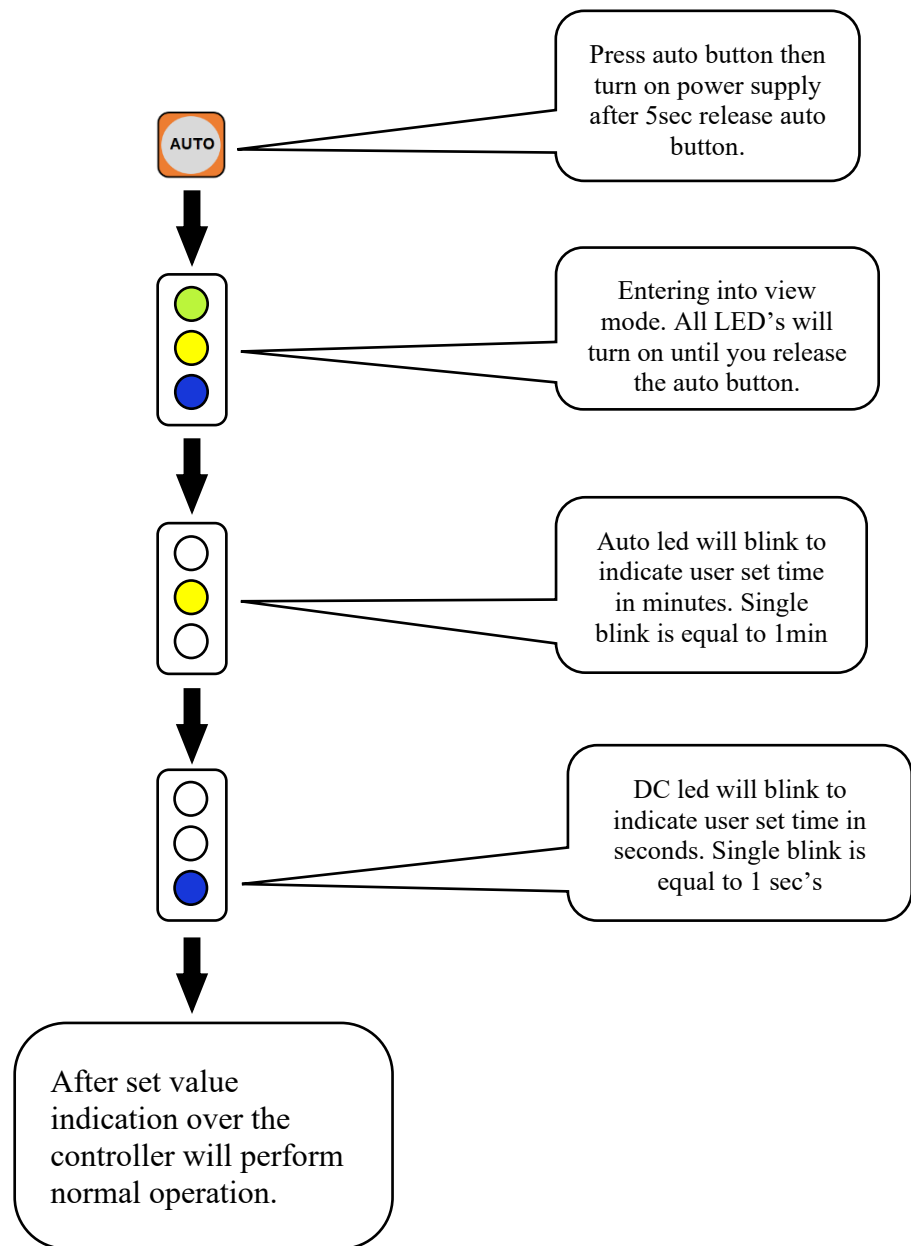
NOTE: ALWAYS DISCONNECT POWER BEFORE INSTALLATION OR MAINTENANCE.

SETTINGS:



NOTE: BEFORE TURNING ON POWER SUPPLY, ENSURE THAT THE 2P/3P AND AUTO/MANUAL SWITCH IN OFF POSITION.

VIEW SET VALUE:



NOTE: BEFORE TURNING ON POWER SUPPLY, ENSURE THAT THE 2P/3P AND AUTO / MANUAL SWITCH IN OFF POSITION

Thank you for choosing the **2-3PHASE AUTO START PREVENTER**. This user manual provides comprehensive information to help you operate and maintain your device effectively. If you have any further questions or require technical support, please contact our customer service team.



WARRANTY:

CUSTOMER NAME:

MOBILE NUMBER:

ADDRESS:

.....

SERIAL NO: BATCH NO:

E-MAIL:

PURCHASE DATE:

DEALER DETAILS:

***NOTE:**

WARRANTY NOT APPLICABLE FOR PHYSICAL DAMAGE, WATER DAMAGE, NATURAL DISASTER, HIGH VOLTAGE FROM MAINS AND THIRD PARTY REPAIRS.

----- NOTES -----

MANUFACTURED BY:

MOTO CONTROL SYSTEM

186-190,2nd Floor, Dr. Radha Krishnan Street, Tatabad, Coimbatore, Tamil Nadu 641012.

E-mail: info@motocontrolsystem.com Phone: 0422 4334445

Web: www.motocontrolsystem.com